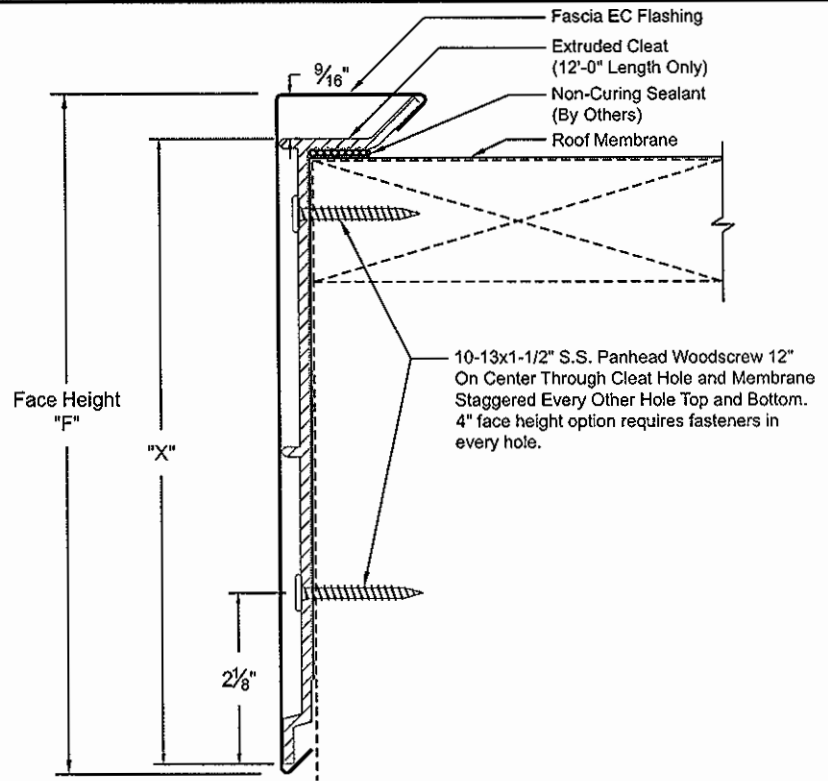


Fascia EC

ANSI/SPRI ES-1 CERTIFIED: .032" AL = 430 psf, .040" AL = 340 psf, 24GA Steel = 300 psf

Cleat Part Number	"F" Dim.	"X" Dim.	Nailers Covered
<input type="checkbox"/> EFC4	4"	3-1/4"	1
<input type="checkbox"/> EFC5.5	5-1/2"	4-3/4"	2
<input type="checkbox"/> EFC7	7"	6-1/4"	3
<input type="checkbox"/> EFC8.5	8-1/2"	7-3/4"	4



- Continuous Cleat and Fasteners provided.
- Concealed Splice Plates provided.
- Splice Plate Sealant available for extra charge.

PRINT APPROVAL:

Architect and/or Contractor shall verify all dimensions, sizes, and quantities, All products to be installed in strict accordance with Drexel's printed instructions.

Approved By: _____

Date: _____

QUANTITIES:

Lineal Feet (10'-0" Lengths): _____

Outside Miters*: _____ Optional Welded (Surcharge Applies)

Inside Miters*: _____ Optional Welded (Surcharge Applies)

Right End Caps*: _____ Optional Welded (Surcharge Applies)

Left End Caps*: _____ Optional Welded (Surcharge Applies)

Splice Plate Tape Sealant: _____ Optional Sealant (Surcharge Applies)

* Standard riveted

PROJECT:

ARCHITECT:

ROOFING CONTRACTOR:

REPRESENTATIVE:



1290 Aviation Blvd., Suite 200 Hebron, KY 41048 (859)689-2210

MATERIAL:

.032" AL .040" AL

24GA Other: _____

Finish: _____

Color: _____

Effective Date:

Drawn By:

Approved By: